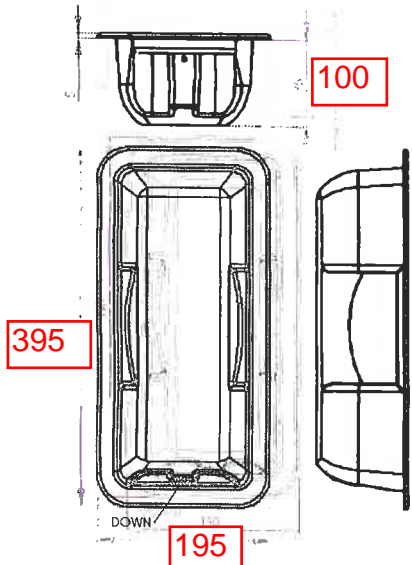
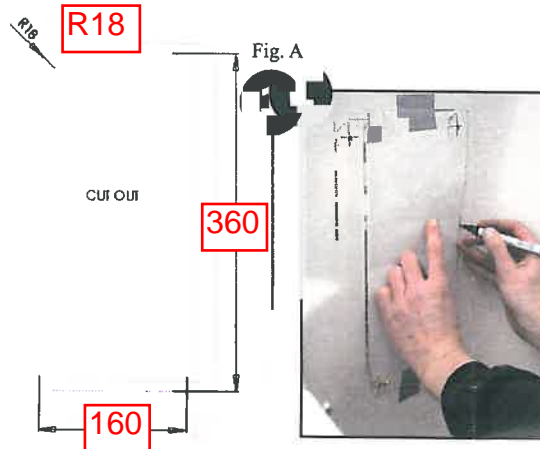


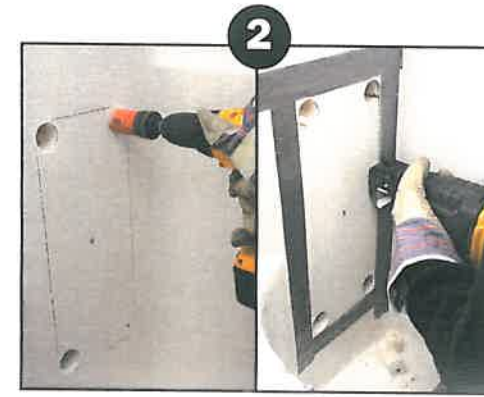
Mounting instructions for LifeSaver LS101 Stowagebox



Dimension drawings



Cut out a hole using the cut out measurements. (See fig. A)



Use a suitable tool to cut out the hole.



It is very important to clean the area around the cut out with an alcohol solvent. The flange on the stowagebox should also be cleaned.



Mount the stowagebox using a saltwater resistant sealing compound (elastic). Mount the Lifesaver LS101 in the stowagebox during assembly.

Bundstøtten nedad!



Let it dry completely before testing the Lifesaver.



Ready to use!